

All rights reserved by **CNH Industrial**.

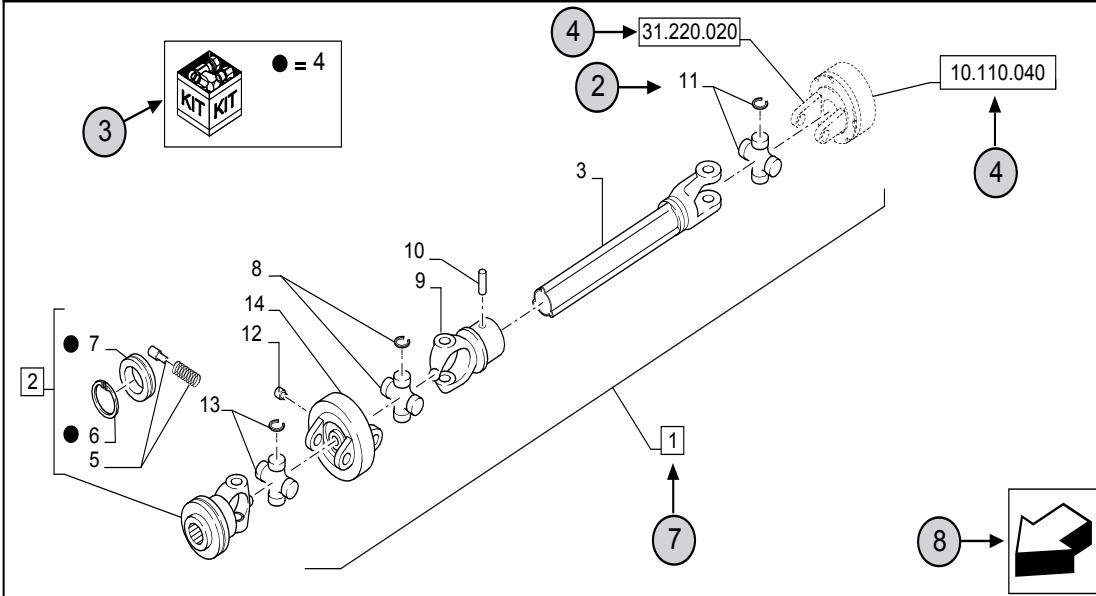
The information contained in this catalogue is intended to be of a general nature only. **CNH Industrial** may at any time and from time to time, for technical or other necessary reasons, modify any of the details or specifications of the product described in this catalogue.

To be sure of getting accurate, detailed and up-to-date information, an intending buyer should consult his nearest **CNH Industrial** dealer or distributor.

Single item numeration method used in this catalogue may not be used without written consent from **CNH Industrial**

31.220.010	01	p1	10/2014
------------	----	----	---------

VAR - 123782, 789101,987654 - PTO - D650



STANDARD ← 6

23	9	10	31.220.010	01	p1	10/2014
----	---	----	------------	----	----	---------

VAR - 123782, 789101,987654 - PTO - D650

11 12 13 14

REF	FN	PART NUMBER	YR/SN	QTY	DESCRIPTION
1	1	86529340	20	1	SHAFT PTO, Incl 2 - 11
2	15	84014007		1	YOKE, Incl 4 - 7 ← 7
3	16	NSS		1	NOT SERVICED SEPARATELY, SHAFT, 350mm, Incl in 1
4		84004292		1	KIT, Seal Kit, Incl 6, 7 ← 17
4		{84058743}		1	KIT, Seal Kit, Incl 6, 7
2	18			21	
	19			22	
		1 = FOR ITALY ONLY ← 5			

MODELS ← 1


- 1 Model Number and Model Description
- 2 Reference - Figure call-out of the part number.
- 3 Parts supplied in repair kits per symbol reference.
- 4 31.220.020 Part illustrated on the **Page** or in the **Figure** indicated, or calls for **Variations** or **Details**. Indicates components shown in detail elsewhere in the catalogue under the figure number shown.
- 5 Footnote references
- 6 Figure notes
- 7 1 2 Includes item(s) (See Description within partlist).
- 8 Orientation. (Arrow indicates front of the machine). 
- 9 Figure description.
- 10 General information of the figure.
- 11 Figure title number that aligns with the SRT. Standard Repair Time.
- 12 **Sequence** code within the assembly.
- 13 Page number within the sequence code.
- 14 **Date** of printing or updating of page (month-year).
- 15 **Note** - Relating to the Part Number. There is a key to symbols and abbreviations at the bottom of the text page.
- 16 Non-serviced parts.
- 17 Further description of the part to help confirm identification.
- 18 Not available as service part.
- 19 Part Number.
- 20 To be defined.
- 21 Total **Quantity** of the Part referred to in the page.
The quantity can be replaced by the following indications:
AR = quantity as requested.
- 22 Part **Description**.
- 23 Variant Codes

TABLE OF CONTENTS

0.0039		SERVICE MAINTENANCE KIT
0.0040	01	OPTIONAL EQUIPMENT - ENGLISH
0.0040	02	OPTIONAL EQUIPMENT - ENGLISH
0.0040	03	OPTIONAL EQUIPMENT - ENGLISH
0.0040	04	OPTIONAL EQUIPMENT - ENGLISH
0.0040	05	OPTIONAL EQUIPMENT - ENGLISH
0.0040	06	OPTIONAL EQUIPMENT - ENGLISH
0.0040	07	OPTIONAL EQUIPMENT - ENGLISH
0.0040/01	01	OPTIONAL EQUIPMENT - GERMAN
0.0040/01	02	OPTIONAL EQUIPMENT - GERMAN
0.0040/01	03	OPTIONAL EQUIPMENT - GERMAN
0.0040/01	04	OPTIONAL EQUIPMENT - GERMAN
0.0040/01	05	OPTIONAL EQUIPMENT - GERMAN
0.0040/01	06	OPTIONAL EQUIPMENT - GERMAN
0.0040/01	07	OPTIONAL EQUIPMENT - GERMAN
0.0040/01	08	OPTIONAL EQUIPMENT - GERMAN
0.0040/02	01	OPTIONAL EQUIPMENT - FRENCH
0.0040/02	02	OPTIONAL EQUIPMENT - FRENCH
0.0040/02	03	OPTIONAL EQUIPMENT - FRENCH
0.0040/02	04	OPTIONAL EQUIPMENT - FRENCH
0.0040/02	05	OPTIONAL EQUIPMENT - FRENCH
0.0040/02	06	OPTIONAL EQUIPMENT - FRENCH
0.0040/02	07	OPTIONAL EQUIPMENT - FRENCH
0.0040/02	08	OPTIONAL EQUIPMENT - FRENCH
0.0040/03	01	OPTIONAL EQUIPMENT - SPANISH
0.0040/03	02	OPTIONAL EQUIPMENT - SPANISH
0.0040/03	03	OPTIONAL EQUIPMENT - SPANISH
0.0040/03	04	OPTIONAL EQUIPMENT - SPANISH
0.0040/03	05	OPTIONAL EQUIPMENT - SPANISH
0.0040/03	06	OPTIONAL EQUIPMENT - SPANISH
0.0040/03	07	OPTIONAL EQUIPMENT - SPANISH
0.0040/04	01	OPTIONAL EQUIPMENT - ITALIAN
0.0040/04	02	OPTIONAL EQUIPMENT - ITALIAN
0.0040/04	03	OPTIONAL EQUIPMENT - ITALIAN
0.0040/04	04	OPTIONAL EQUIPMENT - ITALIAN
0.0040/04	05	OPTIONAL EQUIPMENT - ITALIAN

TABLE OF CONTENTS

0.0040/04	06	OPTIONAL EQUIPMENT - ITALIAN
0.0040/04	07	OPTIONAL EQUIPMENT - ITALIAN
0.0040/05	01	OPTIONAL EQUIPMENT - DANISH
0.0040/05	02	OPTIONAL EQUIPMENT - DANISH
0.0040/05	03	OPTIONAL EQUIPMENT - DANISH
0.0040/05	04	OPTIONAL EQUIPMENT - DANISH
0.0040/05	05	OPTIONAL EQUIPMENT - DANISH
0.0040/05	06	OPTIONAL EQUIPMENT - DANISH
0.0040/05	07	OPTIONAL EQUIPMENT - DANISH
0.0040/06	01	OPTIONAL EQUIPMENT - PORTUGUESE
0.0040/06	02	OPTIONAL EQUIPMENT - PORTUGUESE
0.0040/06	03	OPTIONAL EQUIPMENT - PORTUGUESE
0.0040/06	04	OPTIONAL EQUIPMENT - PORTUGUESE
0.0040/06	05	OPTIONAL EQUIPMENT - PORTUGUESE
0.0040/06	06	OPTIONAL EQUIPMENT - PORTUGUESE
0.0040/06	07	OPTIONAL EQUIPMENT - PORTUGUESE
0.0040/07	01	OPTIONAL EQUIPMENT - DUTCH
0.0040/07	02	OPTIONAL EQUIPMENT - DUTCH
0.0040/07	03	OPTIONAL EQUIPMENT - DUTCH
0.0040/07	04	OPTIONAL EQUIPMENT - DUTCH
0.0040/07	05	OPTIONAL EQUIPMENT - DUTCH
0.0040/07	06	OPTIONAL EQUIPMENT - DUTCH
0.0040/07	07	OPTIONAL EQUIPMENT - DUTCH
0.0042		SERVICE PARTS CATALOGUE AND BINDER
0.01.1		INITIAL STOCKING LIST (LIST A)
0.01.5	02	CAPACITIES
0.05.4	01	MAINTENANCE PARTS - FILTERS
0.05.4	02	MAINTENANCE PARTS - STARTER MOTOR, ALTERNATOR, BELTS
0.05.4	03	MAINTENANCE PARTS - FUSES
0.05.4	04	MAINTENANCE PARTS - BULBS
0.05.4	04	MAINTENANCE PARTS - BULBS
0.05.4	05	MAINTENANCE PARTS - PUMPS
D.I.A.		DEALER INSTALLED ACCESSORY KITS INDEX
MAIN		MAIN SECTIONS
SEC. 01		ENGINE
SEC. 02		ENGINE EQUIPMENT

TABLE OF CONTENTS

SEC. 03		TRANSMISSION
SEC. 04		FRONT AXLE
SEC. 05		REAR AXLE
SEC. 06		ELECTRICAL
SEC. 07		HYDRAULICS
SEC. 08		SHEET METAL
SEC. 09		LINKAGE
SEC. 10	01	DRIVER'S COMPARTMENT
SEC. 10	02	DRIVER'S COMPARTMENT
SEC. 11	01	TRACTION
SEC. 11	02	TRACTION
SEC. 13		DECALS
0.02.0		SEC. 01 - ENGINE
0.02.1		ENGINE
0.02.1/01		ENGINE
0.02.1/02		ENGINE (STD + VAR.330003-332115-332116)
0.02.1/03		ENGINE (STD + VAR.330003-332115-332116)
0.02.1/04		ENGINE (STD + VAR.330003-332115-332116)
0.04.0		CRANKCASE (STD + VAR.330003-332115-332116)
0.04.0/01		CRANKCASE (STD + VAR.330003-332115-332116)
0.04.0/02		CRANKCASE (STD + VAR.330003-332115-332116)
0.04.0/03		CRANKCASE (STD + VAR.330003-332115-332116)
0.04.0/04		CRANKCASE (STD + VAR.330003-332115-332116)
0.04.2		OIL SUMP (STD + VAR.330003-332115-332116)
0.04.2/01		OIL SUMP (STD + VAR.330003-332115-332116)
0.04.3		CRANKCASE COVERS (STD + VAR.330003-332115-332116)
0.04.3/01		CRANKCASE COVERS (STD + VAR.330003-332115-332116)
0.04.5		BREATHER ENGINE (STD + VAR.330003-332115-332116)
0.06.0		CYLINDER HEAD (STD + VAR.330003-332115-332116)
0.06.0/01		CYLINDER HEAD (STD + VAR.330003-332115-332116)
0.06.0/02		CYLINDER HEAD (STD + VAR.330003-332115-332116)
0.06.0/03		CYLINDER HEAD (STD + VAR.330003-332115-332116)
0.06.3		CYLINDER HEAD COVERS (STD + VAR.330003-332115-332116)
0.06.3/01	01	CYLINDER HEAD COVERS (STD + VAR.330003-332115-332116)
0.06.3/01	02	CYLINDER HEAD COVERS (STD + VAR.330003-332115-332116)
0.06.3/02		CYLINDER HEAD COVERS (STD + VAR.330003-332115-332116)

TABLE OF CONTENTS

0.06.3/03	01	CYLINDER HEAD COVERS (STD + VAR.330003-332115-332116)
0.06.3/03	02	CYLINDER HEAD COVERS (STD + VAR.330003-332115-332116)
0.06.6		ROCKER SHAFT (STD + VAR.330003-332115-332116)
0.06.6/01		ROCKER SHAFT (STD + VAR.330003-332115-332116)
0.06.6/02		ROCKER SHAFT (STD + VAR.330003-332115-332116)
0.06.6/03		ROCKER SHAFT (STD + VAR.330003-332115-332116)
0.07.1		INTAKE MANIFOLD (STD + VAR.330003-332115-332116)
0.07.1/01		INTAKE MANIFOLD (STD + VAR.330003-332115-332116)
0.07.1/02		INTAKE MANIFOLD (STD + VAR.330003-332115-332116)
0.07.1/03		INTAKE MANIFOLD (STD + VAR.330003-332115-332116)
0.07.1/04		INTAKE MANIFOLD (STD + VAR.330003-332115-332116)
0.07.7		EXHAUST MANIFOLD (STD + VAR.330003-332115-332116)
0.07.7/01		EXHAUST MANIFOLD (STD + VAR.330003-332115-332116)
0.07.7/02		EXHAUST MANIFOLD (STD + VAR.330003-332115-332116)
0.07.7/03		EXHAUST MANIFOLD (STD + VAR.330003-332115-332116)
0.07.7/04		EXHAUST MANIFOLD (STD + VAR.330003-332115-332116)
0.08.0		CRANKSHAFT (STD + VAR.330003-332115-332116)
0.08.0/01		CRANKSHAFT (STD + VAR.330003-332115-332116)
0.08.1		CONNECTING ROD (STD + VAR.330003-332115-332116)
0.08.1/01		CONNECTING ROD (STD + VAR.330003-332115-332116)
0.08.2		PISTON ENGINE (STD + VAR.330003-332115-332116)
0.08.2/01		PISTON ENGINE (STD + VAR.330003-332115-332116)
0.08.2/02		PISTON ENGINE (STD + VAR.330003-332115-332116)
0.08.2/03		PISTON ENGINE (STD + VAR.330003-332115-332116)
0.08.2/04		PISTON - ENGINE (STD + VAR.330003-332115-332116)
0.08.3		FLYWHEEL ENGINE - TRANSMISSION 12X12 (STD + VAR.330003-330293-332115-332116)
0.08.3/01		FLYWHEEL ENGINE - TRANSMISSION 16X16 & 24X24 (STD + VAR.330003-331245-332115-332116-332245)
0.08.3/02		FLYWHEEL ENGINE - TRANSMISSION 16X16 & 17X16 (VAR.330003-330159-330247-331248-332115-332116)
0.08.3/03		FLYWHEEL ENGINE - TRANSMISSION 16X16 & 17X16 (VAR.330003-330159-330247-331248-332115-332116)
0.08.3/04		FLYWHEEL ENGINE - TRANSMISSION 16X16 & 17X16 & 24X24 (STD + VAR.330003-330159-330247-331245-331248-332115-332116-332245)
0.08.3/05		FLYWHEEL ENGINE - TRANSMISSION 16X16 & 17X16 (STD + VAR.330003-330247-330291-332115-332116-332245)
0.08.3/06		FLYWHEEL ENGINE - TRANSMISSION 16X16 & 17X16 (STD + VAR.330003-330247-330291-332115-332116-332245)
0.08.4		PULLEY CRANKSHAFT (STD + VAR.330003-332115-332116)
0.08.4/01		PULLEY CRANKSHAFT (STD + VAR.330003-332115-332116)
0.08.4/02		PULLEY CRANKSHAFT (STD + VAR.330003-332115-332116)

TABLE OF CONTENTS

0.10.5	01	DYNAMIC BALANCER, GEARS & SHAFTS (STD + VAR.330003-332115-332116)
0.10.5	02	DYNAMIC BALANCER, GEARS & SHAFTS (STD + VAR.330003-332115-332116)
0.12.0		CAMSHAFT TIMING CONTROL
0.12.0/01		CAMSHAFT TIMING CONTROL (STD + VAR.330003-332115-332116)
0.12.0/02		CAMSHAFT TIMING CONTROL (STD + VAR.330003-332115-332116)
0.12.0/03		CAMSHAFT TIMING CONTROL (STD + VAR.330003-332115-332116)
0.14.0	01	INJECTION PUMP (STD + VAR.330003-332115-332116)
0.14.0	02	INJECTION EQUIPMENT - INJECTOR (STD + VAR.330003-332115-332116)
0.14.0/01	01	INJECTION PUMP (STD + VAR.330003-332115-332116)
0.14.0/01	02	INJECTION EQUIPMENT - INJECTOR (STD + VAR.330003-332115-332116)
0.14.0/02	01	INJECTION PUMP (STD + VAR.330003-332115-332116)
0.14.0/02	02	INJECTION EQUIPMENT - INJECTOR (STD + VAR.330003-332115-332116)
0.14.0/02	03	INJECTION EQUIPMENT - INJECTOR (STD + VAR.330003-332115-332116)
0.14.0/02A		INJECTION PUMP - COMPONENTS (STD + VAR.330003-332115-332116)
0.14.0/03	01	INJECTION PUMP (STD + VAR.330003-332115-332116)
0.14.0/03	02	INJECTION EQUIPMENT - INJECTOR DELTA AND PLUS VERSION ONLY (STD + VAR.330003-332115-332116)
0.14.2		INJECTION PUMP DRIVE (STD + VAR.330003-332115-332116)
0.14.2/01		INJECTION PUMP DRIVE (STD + VAR.330003-332115-332116)
0.14.6		INJECTION EQUIPMENT - PIPING (STD + VAR.330003-332115-332116)
0.14.6/01		INJECTION EQUIPMENT - PIPING (STD + VAR.330003-332115-332116)
0.14.9		INJECTION EQUIPMENT - PIPING (STD + VAR.330003-332115-332116)
0.14.9/01		INJECTION EQUIPMENT - PIPING (STD + VAR.330003-332115-332116)
0.14.9/02		INJECTION EQUIPMENT - PIPING (STD + VAR.330003-332115-332116)
0.14.9/03		INJECTION EQUIPMENT - PIPING (STD + VAR.330003-332115-332116)
0.14.9/04		INJECTION EQUIPMENT - PIPING (STD + VAR.330003-332115-332116)
0.20.0		FUEL FILTER (STD + VAR.330003-332115-332116)
0.20.0/01		FUEL FILTER (STD + VAR.330003-332115-332116)
0.20.1		FUEL PUMP (STD + VAR.330003-332115-332116)
0.20.3		PIPING FUEL (STD + VAR.330003-332115-332116)
0.20.3/01		PIPING FUEL (STD + VAR.330003-332115-332116)
0.20.3/02		PIPING FUEL (STD + VAR.330003-332115-332116)
0.20.3/03		PIPING FUEL (STD + VAR.330003-332115-332116)
0.20.3/04		PIPING FUEL (STD + VAR.330003-332115-332116)
0.20.4		INJECTION EQUIPMENT - PIPING (STD + VAR.330003-332115-332116)
0.20.4/01		INJECTION EQUIPMENT - PIPING (STD + VAR.330003-332115-332116)
0.20.4/02		INJECTION EQUIPMENT - PIPING (STD + VAR.330003-332115-332116)

TABLE OF CONTENTS

0.20.4/03	INJECTION EQUIPMENT - PIPING (STD + VAR.330003-332115-332116)
0.24.0	TURBOCHARGING (STD + VAR.330003-332115-332116)
0.24.0/01	TURBOCHARGER (STD + VAR.330003-332115-332116)
0.24.0/02	TURBOCHARGER (STD + VAR.330003-332115-332116)
0.24.0/03	TURBOCHARGER (STD + VAR.330003-332115-332116)
0.24.0/04	TURBOCHARGER (STD + VAR.330003-332115-332116)
0.27.0	ENGINE OIL DIPSTICK (STD + VAR.330003-332115-332116)
0.27.0/01	ENGINE OIL DIPSTICK (STD + VAR.330003-332115-332116)
0.27.2	MOTOR SENSORS (504134317) (STD + VAR.330003-332115-332116)
0.27.2/01	MOTOR SENSORS (STD + VAR.330003-332115-332116)
0.30.0	OIL PUMP ENGINE (STD + VAR.330003-332115-332116)
0.30.0/01	OIL PUMP ENGINE (STD + VAR.330003-332115-332116)
0.30.2	OIL FILTER ENGINE (STD + VAR.330003-332115-332116)
0.30.5	PIPING ENGINE OIL (STD + VAR.330003-332115-332116)
0.30.5/01	PIPING ENGINE OIL (STD + VAR.330003-332115-332116)
0.30.5/02	PIPING ENGINE OIL (STD + VAR.330003-332115-332116)
0.30.5/03	PIPING - ENGINE OIL (STD + VAR.330003-332115-332116)
0.31.5	HEAT EXCHANGER ENGINE (STD + VAR.330003-332115-332116)
0.31.5/01	HEAT EXCHANGER ENGINE (STD + VAR.330003-332115-332116)
0.31.5/02	HEAT EXCHANGER ENGINE (STD + VAR.330003-332115-332116)
0.31.5/03	HEAT EXCHANGER - ENGINE (STD + VAR.330003-332115-332116)
0.32.0	WATER PUMP (STD + VAR.330003-332115-332116)
0.32.3	ENGINE COOLING SYSTEM PIPING (STD + VAR.330003-332115-332116)
0.32.4	ENGINE COOLING SYSTEM SHUTTER PLUGS (STD + VAR.330003-332115-332116)
0.32.4/01	ENGINE COOLING SYSTEM SHUTTER PLUGS (STD + VAR.330003-332115-332116)
0.32.4/02	ENGINE COOLING SYSTEM SHUTTER PLUGS (STD + VAR.330003-332115-332116)
0.32.6	THERMOSTAT ENGINE COOLING SYSTEM (STD + VAR.330003-332115-332116)
0.32.6/01	THERMOSTAT ENGINE COOLING SYSTEM (STD + VAR.330003-332115-332116)
0.34.0	WATER PUMP DRIVE (STD + VAR.330003-332115-332116)
0.34.5	FAN & PULLEY (STD + VAR.330003-330009-332115-332116)
0.34.5/01	FAN & PULLEY (STD + VAR.330003-332115-332116)
0.35.0	POWER TAKE OFF - COVERING (STD + VAR.330003-332115-332116)
0.36.0	STARTER MOTOR (STD + VAR.330003-332115-332116)
0.40.0	ALTERNATOR - 120A (STD + VAR.330003-332115-332116)
0.40.0/01	ALTERNATOR - 150A (VAR.334192)
0.41.0	ELECTRONIC INJECTION (STD + VAR.330003-332115-332116)

TABLE OF CONTENTS

0.41.3		CONNECTIONS CABLE FOR ENGINE INJECTION (STD + VAR.330003-332115-332116)
0.41.3/01		CONNECTIONS CABLE FOR ENGINE INJECTION (STD + VAR.330003-332115-332116)
0.88.0		COMPRESSOR, AIR CONDITIONING (STD + VAR.330003-332115-332116)
0.88.0/ A		COMPRESSOR, AIR CONDITIONING - BREAKDOWN - C5908 (STD + VAR.330641-330643-330003-332115-332116)
0.88.0/01		AIR CONDITIONING - COMPRESSOR (STD + VAR.330641-330643-330003-332115-332116)
1.13.0		SEC. 02 - ENGINE EQUIP.
1.14.0	01	FUEL TANK AND RELATED PARTS - C6240
1.14.0	01A	FUEL TANK AND RELATED PARTS - D6240 - C7389
1.14.0	01B	FUEL TANK AND RELATED PARTS - D7389
1.14.0	02	FUEL TANK AND RELATED PARTS - C6240
1.14.0	02A	FUEL TANK AND RELATED PARTS - D6240 - C7389
1.14.0	02B	FUEL TANK AND RELATED PARTS - D7389
1.14.0/01	01	FUEL TANK FOR SUPERSTEER AND RELATED PARTS - C6240 (VAR.331142-330143)
1.14.0/01	01A	FUEL TANK FOR SUPERSTEER AND RELATED PARTS - D6240 - C7389 (VAR.331142-330143)
1.14.0/01	01B	FUEL TANK FOR SUPERSTEER AND RELATED PARTS - D7389 (VAR.331142-330143)
1.14.0/01	02	FUEL TANK FOR SUPERSTEER AND RELATED PARTS - C6240 (VAR.331142-330143)
1.14.0/01	02A	FUEL TANK FOR SUPERSTEER AND RELATED PARTS - D6240 - C7389 (VAR.331142-330143)
1.14.0/01	02B	FUEL TANK FOR SUPERSTEER AND RELATED PARTS - D7389 (VAR.331142-330143)
1.14.0/02	01	JAPAN VERSION - FUEL TANK WITH GUARD - C6240 (VAR.330133)
1.14.0/02	01A	JAPAN VERSION - FUEL TANK WITH GUARD - D6240 - C7389 (VAR.330133)
1.14.0/02	01B	JAPAN VERSION - FUEL TANK WITH GUARD - D7389 (VAR.330133)
1.14.6	01	FUEL LINES FOR 4 CYLINDER ENGINE
1.14.6	02	FUEL LINES FOR 4 CYLINDER ENGINE
1.14.6	03	FUEL LINES FOR 6 CYLINDER ENGINE
1.14.6/ A		FUEL FILTER - BREAKDOWN - D6809
1.14.6/ B		FUEL FILTER/WATER SEPARATOR - BREAKDOWN (VAR.330103)
1.14.6/01		FUEL LINES FOR 6 CYLINDER ENGINE, HEAVY DUTY (VAR.330103)
1.14.7		FUEL TANK SUPPORT
1.14.7/01		FUEL TANK WITH GUARD - GUARD (VAR.330142)
1.14.7/02		FUEL TANK WITH GUARD - GUARD (VAR.331142-330133)
1.15.1	01	SILENCER (MUFFLER)
1.15.1	02	SILENCER (MUFFLER)
1.15.1/01		AIRCLEANER WITH PRECLEANER FOR ROOF WITH LOW PROFILE - SILENCER (MUFFLER) (VAR.332189-333189)
1.17.0		RADIATOR, COOLING SYSTEM & RELATED PARTS
1.17.0/01		RADIATOR, COOLING SYSTEM & RELATED PARTS
1.17.0/02	01	RADIATOR, COOLING SYSTEM & RELATED PARTS - C5788

TABLE OF CONTENTS

1.17.0/02	01A	RADIATOR, COOLING SYSTEM & RELATED PARTS - D5788 - C5549
1.17.0/02	01B	RADIATOR, COOLING SYSTEM & RELATED PARTS - D5549 - C5790
1.17.0/02A		INTERCOOLER AND CONDENSER - BREAKDOWN
1.17.0/02B		INTERCOOLER AND CONDENSER - BREAKDOWN
1.17.0/02C		INTERCOOLER AND CONDENSER - BREAKDOWN
1.17.0/03		RADIATOR, COOLING SYSTEM & RELATED PARTS - D5790
1.17.0/04		RADIATOR, COOLING SYSTEM & RELATED PARTS - D5790
1.17.0/04A		INTERCOOLER AND CONDENSER - BREAKDOWN
1.17.0/04B		INTERCOOLER AND CONDENSER - BREAKDOWN
1.17.0/04C		INTERCOOLER AND CONDENSER - BREAKDOWN
1.17.0/05		AIR CONDITIONING - RADIATOR, COOLING SYSTEM & RELATED PARTS - D5790 (VAR.330641)
1.17.2	01	COOLING - EXPANSION TANK
1.17.2	02	RADIATOR HOSES
1.17.2/01	01	CONDENSER AND DEHYDRATING FILTER FOR AIR CONDITIONING - C6663
1.17.2/01	01A	DEHYDRATING FILTER FOR AIR CONDITIONING - D6663
1.17.2/02		AIR CONDITIONING - CONDENSER AND DEHYDRATING FILTER FOR AIR CONDITIONING (VAR.330641)
1.17.2/03		AIR CONDITIONING - CONDENSER AND DEHYDRATING FILTER FOR AIR CONDITIONING (VAR.330641)
1.17.5	01	RADIATOR DUCT AND SEALS - C5989
1.17.5	01A	RADIATOR DUCT AND SEALS - D5989
1.19.1	01	DRY AIR FILTER AND PIPES
1.19.1	02	DRY AIR FILTER AND PIPES
1.19.1	03	DRY AIR FILTER AND PIPES
1.19.1/01	01	AIRCLEANER WITH PRECLEANER FOR ROOF WITH HIGH PROFILE (VAR.330189-331189)
1.19.1/01	02	AIRCLEANER WITH PRECLEANER FOR ROOF WITH HIGH PROFILE (VAR.330189)
1.19.1/01	03	AIRCLEANER WITH PRECLEANER FOR ROOF WITH HIGH PROFILE (VAR.330189-331189)
1.19.1/01	04	AIRCLEANER WITH PRECLEANER FOR ROOF WITH LOW PROFILE (VAR.330189)
1.19.1/02	01	AIRCLEANER WITH PRECLEANER FOR ROOF WITH LOW PROFILE (VAR.332189-333189)
1.19.1/02	02	AIRCLEANER WITH PRECLEANER FOR ROOF WITH LOW PROFILE (VAR.332189)
1.19.1/02	03	AIRCLEANER WITH PRECLEANER FOR ROOF WITH LOW PROFILE (VAR.332189-333189)
1.19.6		INTERCOOLER - PIPES
1.19.6/01		INTERCOOLER AND CONDENSER - PIPES
1.19.6/02		INTERCOOLER AND CONDENSER - PIPES
1.19.6/03		INTERCOOLER - PIPES
1.19.9		ENGINE GUARD
1.20.0		SEC. 03 - TRANSMISSION
1.20.1	01	SERVICE KIT, TRANSMISSION

TABLE OF CONTENTS

1.20.1	02	SERVICE KIT, TRANSMISSION
1.21.0	01	TRANSMISSION 12X12 (40 KM/H) - GEARBOX HOUSING, COVERS AND RELATED PARTS
1.21.0	02	TRANSMISSION 12X12 (40 KM/H) - REAR AXLE HOUSING, COVERS AND RELATED PARTS
1.21.0	03	TRANSMISSION 12X12 (40 KM/H) - REAR AXLE HOUSING, INNER PIPES AND BREATHERS
1.21.0/01	01	TRANSMISSION 24X24 (40 KM/H) HI-LO - GEARBOX HOUSING, COVERS AND RELATED PARTS (STD + VAR.330282)
1.21.0/01	02	TRANSMISSION 24X24 (40 KM/H) HI-LO - REAR AXLE HOUSING, COVERS AND RELATED PARTS
1.21.0/01	03	TRANSMISSION 24X24 (40 KM/H) HI-LO - REAR AXLE HOUSING, INNER PIPES AND BREATHERS
1.21.0/02	01	TRANSMISSION 16X16 AND 17X16 (40 KM/H), SPS - GEARBOX HOUSING AND RELATED PARTS (STD + VAR.330283)
1.21.0/02	02	TRANSMISSION 16X16 AND 17X16 (40 KM/H), SPS - GEARBOX COVERS AND RELATED PARTS (STD + VAR.330283)
1.21.0/02	03	TRANSMISSION 16X16 AND 17X16 (40 KM/H), SPS - REAR AXLE HOUSING, COVERS AND RELATED PARTS
1.21.0/02	04	TRANSMISSION 16X16 AND 17X16 (40 KM/H), SPS - REAR AXLE HOUSING, INNER PIPES AND BREATHERS
1.21.0/03		TRANSMISSION 17X16 (40 KM/H) "ECONOMY" FOR SPS - REAR AXLE HOUSING - PIPES (VAR.330291)
1.21.0/04	01	TRANSMISSION 17X16 (50 KM/H) SPS - GEARBOX HOUSING, COVERS AND RELATED PARTS (VAR.330247)
1.21.0/04	02	TRANSMISSION 17X16 (50 KM/H) SPS - TRANSMISSION HOUSING RELATED PIPES (VAR.330247)
1.21.0/05		TRANSMISSION 16X16 SPS W/ADV. HARNESS - GEARBOX HOUSING, COVERS AND REL. PARTS (VAR.331248-331289)
1.21.0/06		TRANSMISSION 16X16 (40KM/H) WITH "AUTO ECONOMY" - GEARBOX HOUSING, COVERS AND REL. PART (VAR.330159)
1.21.1	01	4WD SUPPORT FOR FRONT AXLE
1.21.1	02	4WD SUPPORT FOR FRONT AXLE
1.21.1	03	4WD SUPPORTS FOR FRONT AXLE
1.21.1/01		2WD SUPPORT FOR FRONT AXLE (VAR.330406-330407)
1.21.1/02	01	(CL.3) SUPERSTEER FRONT AXLE WITH STEERING SENSOR - SUPPORT (VAR.330413)
1.21.1/02	02	(CL.3) SUPERSTEER FRONT AXLE WITH STEERING SENSOR - SUPPORT (VAR.330413)
1.21.1/03		WATERPROOFING - 4WD SUPPORTS FOR FRONT AXLE (VAR.330448)
1.21.1/04		SIDE RAILS (VAR.330211)
1.21.1/05		(CL.4) SUSPENDED FRONT AXLE W/MULTI-PLATE DIFF. LOCK - SUPPORT FOR FRONT AXLE (VAR.330429-330430)
1.21.1/06	01	(CL.4) SUPERSTEER FRONT AXLE WITH STEERING SENSOR - SUPPORT (VAR.330428)
1.21.1/06	02	(CL.4) SUPERSTEER FRONT AXLE WITH STEERING SENSOR - SUPPORT (VAR.330428)
1.21.1/07		(CL.3) FRONT AXLE WITH DOG CLUTCH LESS STEERING SENSOR - SUPPORT FOR FRONT AXLE (VAR.330416)
1.21.1/08		INTEGRATED FRONT HPL WITH PTO - AXLE SUPPORT - C6519 (VAR.330847-331847-332847-333847-334847-335847)
1.21.1/09		INTEGRATED FRONT HPL - AXLE SUPPORT - C6519 (VAR.330831-331831-332831-333831)
1.21.1/10		INTEGRATED FRONT HPL - AXLE SUPPORT - D6519 (VAR.333648-336831)
1.21.1/11		INTEGRATED FRONT HPL FOR FRONT AXLE SUSPENSION - AXLE SUPPORT - D6519 (VAR.334648-335648-337831)
1.21.2	01	4WD (CL.3) SUSPENDED FRONT AXLE - VALVE SUSPENSION CONTROL - C6385 (VAR.330414-330427)
1.21.2	02	4WD (CL.3) SUSPENDED FRONT AXLE - PIPES - C6385 (VAR.330414-330427)

TABLE OF CONTENTS

1.21.2	03	4WD (CL.3) SUSPENDED FRONT AXLE - VALVE SUSPENSION CONTROL AND PIPES - D6385 (VAR.330414-330427)
1.21.2	04	4WD (CL.3) SUSPENDED FRONT AXLE - PIPES - D6385 (VAR.330414-330427)
1.21.2/ A		VALVE SUSPENSION CONTROL - PARTS (VAR.330414-330427-330429-330430)
1.21.2/01	01	(CL.4) SUSPENDED FRONT AXLE W/MULTI-PLATE DIFF. LOCK - VALVE SUSP. CTRL - C6385 (VAR.330429-330430)
1.21.2/01	02	(CL.4) SUSPENDED FRONT AXLE W/MULTI-PLATE DIFF. LOCK - PIPES - C6385 (VAR.330429-330430)
1.21.2/01	03	(CL.4) SUSPENDED FRONT AXLE W/MULTI-PLATE DIFF. LOCK - VALVE SUSPENSION CONTROL AND PIPES - D6385 (VAR.330429-330430)
1.21.2/01	04	(CL.4) SUSPENDED FRONT AXLE W/MULTI-PLATE DIFF. LOCK - PIPES - D6385 (VAR.330429-330430)
1.21.2/02		4WD SUSPENDED FRONT AXLE - PIPES
1.21.2/B		SUSPENSION CONTROL VALVE, COMPONENTS - BREAKDOWN (VAR.330414-330427-330429-330430)
1.21.3	01	4WD (CL.3) SUSPENDED FRONT AXLE - BEARINGS AND DRIVE SHAFT CARRIER ARM (VAR.330414-330427)
1.21.3	02	4WD (CL.3) SUSPENDED FRONT AXLE - CYLINDER AND RELEVANT PARTS (VAR.330414-330427)
1.21.3	03	4WD (CL.3) SUSPENDED FRONT AXLE - CYLINDER SUSPENSION (VAR.330414-330427)
1.21.3/01	01	(CL.4) SUSPENDED FRONT AXLE W/MULTI-PLATE DIFF. LOCK - BEARINGS AND DRIVE SHAFT CARRIER ARM (VAR.330429-330430)
1.21.3/01	02	(CL.4) SUSPENDED FRONT AXLE W/MULTI-PLATE DIFF. LOCK - CYLINDER AND REL. PARTS (VAR.330429-330430)
1.21.3/01	03	(CL.4) SUSPENDED FRONT AXLE W/MULTI-PLATE DIFF. LOCK - CYLINDER SUSPENSION (VAR.330429-330430)
1.21.5		FRONT WEIGHT CARRIER FOR FAN STYLED WEIGHTS (VAR.330217-332217)
1.21.5/01		SUPPORT AND WEIGHT FOR SUPERSTEER FRONT AXLE (VAR.331217)
1.21.5/02		FRONT PULL HOOK (VAR.330222)
1.21.5/03		WEIGHT CARRIER - WITH HOOK (VAR.330223-330224-330228)
1.21.5/04		SUPPORT AND WEIGHT FOR SUPERSTEER FRONT AXLE - WITH HOOK (VAR.331224-331228)
1.21.5/05		SUPPORT AND WEIGHT FOR SUPERSTEER FRONT AXLE - C6335 (VAR.331220-331221)
1.21.5/06		SUPPORT AND WEIGHT FOR SUPERSTEER FRONT AXLE - WITH HOOK - C6335 (VAR.331223)
1.21.6		EUROPEAN LOADER READY - SUPPORTS (VAR.330820-330821-331821-332820-332821-336821-338821 / 743745)
1.21.6/01		NORTH AMERICAN LOADER READY - SUPPORTS (VAR.334820 / 743746)
1.21.6/02		NORTH AMERICAN LOADER READY - BRACKETS (VAR.331820-333820-334820-335820-333821 / 743746)
1.21.6/03		SUPPORTS FOR NORTH AMERICAN LOADER READY (VAR.333822)
1.25.3		TRANSMISSION 12X12 - CLUTCH AND INPUT SHAFT (STD + VAR.330293)
1.25.3/01		TRANSMISSION 12X12 - CLUTCH AND INPUT SHAFT (STD + VAR.330293)
1.25.3/02		TRANSMISSION 16X16 - TORSIONAL DAMPER AND INPUT SHAFT (STD + VAR.330283-331245-332245)
1.25.3/03		TRANSMISSION 24X24 - TORSIONAL DAMPER AND INPUT SHAFT (STD + VAR.330282-331245)
1.25.3/04		TRANSMISSION 24X24 - TORSIONAL DAMPER AND INPUT SHAFT (STD + VAR.331245)
1.25.3/05	01	TRANSMISSION 16X16 & 17X16 - TORSIONAL DAMPER AND INPUT SHAFT (VAR.330159-330247-330283-331248) - C5591
1.25.3/05	01A	TRANSMISSION 16X16 & 17X16 - TORSIONAL DAMPER AND INPUT SHAFT (VAR.330159-330247-330283-331248) - D5591
1.25.3/06		TRANSMISSION 16X16 & 17X16 - TORSIONAL DAMPER AND INPUT SHAFT (VAR.330159-330247-330283-331248)

TABLE OF CONTENTS

1.25.3/07		TRANSMISSION 16X16 & 17X16 - TORSIONAL DAMPER AND INPUT SHAFT (STD + VAR.330159-330247-330283-331248-332245)
1.25.3/08	01	TRANSMISSION 16X16 & 17X16 - TORSIONAL DAMPER AND INPUT SHAFT (STD + VAR.330247-330291-332245) - C5591
1.25.3/08	01A	TRANSMISSION 16X16 & 17X16 - TORSIONAL DAMPER AND INPUT SHAFT (STD + VAR.330247-330291-332245) - D5591
1.25.3/09		TRANSMISSION 16X16 & 17X16 - TORSIONAL DAMPER AND INPUT SHAFT (STD + VAR.330247-330291-332245)
1.26.8		TRANSMISSION 12X12 (40 KM/H) - CLUTCH ACTUATOR
1.27.2	01	TRANSMISSION 24X24 (40 KM/H) HI-LO - CLUTCHES (STD + VAR.330282)
1.27.2	02	TRANSMISSION 24X24 (40 KM/H) HI-LO - CLUTCHES (STD + VAR.330282)
1.27.3		TRANSMISSION 24X24 (40 KM/H) HI-LO - HI-LO LUBE MANIFOLD (STD + VAR.330282)
1.27.4		TRANSMISSION 24X24 (40 KM/H) HI-LO - HI-LO ENGAGEMENT CONTROL VALVE (STD + VAR.330282)
1.27.5		TRANSMISSION 12X12 (40 KM/H) - REVERSER GEARS
1.27.5/01		TRANSMISSION 24X24 (40KM/H) HI-LO - REVERSER GEARS (STD + VAR.330282)
1.27.5/02		TRANSMISSION 16X16 (40 KM/H) SPS - REVERSER GEARS (STD + VAR.330283)
1.28.1		TRANSMISSION 12X12 (40 KM/H) - GEARSHIFTS GEARS
1.28.1/01		TRANSMISSION 24X24 (40 KM/H) HI-LO - GEARSHIFTS GEARS (STD + VAR.330282)
1.28.1/02	01	TRANSMISSION 16X16 (40 KM/H) SPS - GEARSHIFTS GEARS (STD + VAR.330283)
1.28.1/02	02	TRANSMISSION 16X16 (40 KM/H) SPS - GEARSHIFTS GEARS (STD + VAR.330283-331289)
1.28.1/03		TRANSMISSION 12X12 (30 KM/H) - GEARSHIFTS GEARS (VAR.330245)
1.28.1/04		TRANSMISSION 24X24 (30 KM/H) HI-LO - GEARSHIFTS GEARS (VAR.331245-330248)
1.28.1/05		TRANSMISSION 16X16 (30 KM/H) SPS - GEARSHIFTS GEARS (VAR.332245-331248)
1.28.7	01	TRANSMISSION 16X16 (40 KM/H) SPS - SPEED ENGAGEMENT FRONT CLUTCH - OIL SUPPLY AND LUBRICAT. - C6396 (STD + VAR.330283)
1.28.7	01A	TRANSMISSION 16X16 (40 KM/H) SPS - SPEED ENGAGEMENT FRONT CLUTCH - OIL SUPPLY AND LUBRICAT. - D6396 (STD + VAR.330283)
1.28.7	02	TRANSMISSION 16X16 (40 KM/H) SPS - SPEED ENGAGEMENT FRONT CLUTCH - C1 DISKS - C6396 (STD + VAR.330283)
1.28.7	02A	TRANSMISSION 16X16 (40 KM/H) SPS - SPEED ENGAGEMENT FRONT CLUTCH - C1 DISKS - D6396 (STD + VAR.330283)
1.28.7	03	TRANSMISSION 16X16 (40 KM/H) SPS - SPEED ENGAGEMENT FRONT CLUTCH - HOUSING AND C2 DISKS - C6396 (STD + VAR.330283)
1.28.7	03A	TRANSMISSION 16X16 (40 KM/H) SPS - SPEED ENGAGEMENT FRONT CLUTCH - HOUSING AND C2 DISKS - D6396 (STD + VAR.330283)
1.28.7	04	TRANSMISSION 16X16 (40 KM/H) SPS - SPEED ENGAGEMENT REAR CLUTCH - C3 DISKS - C6835 (STD + VAR.330283)
1.28.7	04A	TRANSMISSION 16X16 (40 KM/H) SPS - SPEED ENGAGEMENT REAR CLUTCH - C3 DISKS - D6835 (STD + VAR.330283)
1.28.7	05	TRANSMISSION 16X16 (40 KM/H) SPS - SPEED ENGAGEMENT REAR CLUTCH - HOUSING AND C4 DISKS - C6835 (STD + VAR.330283)
1.28.7	05A	TRANSMISSION 16X16 (40 KM/H) SPS - SPEED ENGAGEMENT REAR CLUTCH - HOUSING AND C4 DISKS - D6835 (STD + VAR.330283)
1.28.7	06	TRANSMISSION 16X16 (40 KM/H) SPS - SPEED ENGAGEMENT REAR CLUTCH - SUPPORT AND MANIFOLD - C6835 (STD + VAR.330283)
1.28.7	06A	TRANSMISSION 16X16 (40 KM/H) SPS - SPEED ENGAGEMENT REAR CLUTCH - SUPPORT AND MANIFOLD - D6835 (STD + VAR.330283)
1.29.0	01	TRANSMISSION 12X12 (40 KM/H) - GEARBOX COVER, SHIFTING RODS AND FORKS
1.29.0	02	TRANSMISSION 12X12 (40 KM/H) - GEARBOX COVER, LEVERS AND TIE-RODS

TABLE OF CONTENTS

1.29.0/01	01	TRANSMISSION 24X24 (40 KM/H) HI-LO - GEARBOX COVER, SHIFTING RODS AND FORKS (STD + VAR.330282)
1.29.0/01	02	TRANSMISSION 24X24 (40 KM/H) HI-LO - GEARBOX COVER, LEVERS AND TIE-RODS (STD + VAR.330282)
1.29.0/02	01	TRANSMISSION 16X16 (40 KM/H) SPS - C1/C4 CLUTCH LUBRICATION OIL JOINTS (STD + VAR.330283)
1.29.0/02	02	TRANSMISSION 16X16 (40 KM/H) SPS - TRANSMISSION VALVE BLOCK (STD + VAR.330283)
1.29.6		TRANSMISSION 24X24 (40 KM/H) HI-LO - PIPES AND FILTER (STD + VAR.330282)
1.29.6/01	01	TRANSMISSION 16X16 SPS - TRANSMISSION VALVE BLOCK PIPES - C6562 (STD + VAR.330283)
1.29.6/01	01A	TRANSMISSION 16X16 SPS - TRANSMISSION VALVE BLOCK PIPES - D6562 - C6741
1.29.6/01	01B	TRANSMISSION 16X16 SPS - TRANSMISSION VALVE BLOCK PIPES - D6741
1.29.6/02	01	63 L/MIN FIXED DISPLACEMENT PUMP FOR EDC AND 24X24 - GEARBOX CONTROL PIPES - C6741 (VAR.330824)
1.29.6/02	01A	63 L/MIN FIXED DISPLACEMENT PUMP FOR EDC AND 24X24 - GEARBOX CONTROL PIPES - D6741 (VAR.330824)
1.29.6/03	01	63 L/MIN FIXED DISPLACEMENT PUMP FOR EDC AND 16X16 - GEARBOX CONTROL PIPES (VAR.330830)
1.29.6/03	02	63 L/MIN FIXED DISPLACEMENT PUMP FOR EDC AND 16X16 - GEARBOX CONTROL PIPES (VAR.330830)
1.29.6/04	01	113 L/MIN CCLS PUMP FOR (CL.3) FRONT AXLE - TRANSMISSION VALVE BLOCK PIPES - C6562 (VAR.330835-331836-332836-333836-335836 / 743744)
1.29.6/04	01A	113 L/MIN CCLS PUMP FOR (CL.3) FRONT AXLE - TRANSMISSION VALVE BLOCK PIPES - D6562 - C6741 (VAR.330835-331836-332836-333836-335836 / 743744)
1.29.6/04	01B	113 L/MIN CCLS PUMP FOR (CL.3) FRONT AXLE - TRANSMISSION VALVE BLOCK PIPES - D6741 (VAR.330835-331836-332836-333836-335836 / 743744)
1.29.6/05		113 L/MIN CCLS PUMP FOR (CL.4) FRONT AXLE - TRANSMISSION VALVE BLOCK PIPES - D6288 (VAR.334835-336835-337835-338835-339835 / 743744)
1.29.6/06	01	63 L/MIN FIXED DISPLACEMENT PUMP FOR MDC AND 16X16 - GEARBOX CONTROL PIPES
1.29.6/06	02	63 L/MIN FIXED DISPLACEMENT PUMP FOR MDC AND 16X16 - GEARBOX CONTROL PIPES
1.29.7	01	TRANSMISSION 12X12 (40 KM/H) - OIL COOLER PIPES
1.29.7	02	TRANSMISSION 12X12 (40 KM/H) - GEARBOX LUBRICATION PIPING
1.29.7/01	01	TRANSMISSION 12X12 (40 KM/H) - OIL COOLER PIPES
1.29.7/01	02	TRANSMISSION 12X12 (40 KM/H) - GEARBOX LUBRICATION PIPING
1.29.7/02	01	TRANSMISSION 24X24 (40 KM/H) HI-LO - OIL COOLER PIPES
1.29.7/02	02	TRANSMISSION 24X24 (40 KM/H) HI-LO - GEARBOX LUBRICATION PIPING
1.29.7/03	01	TRANSMISSION 24X24 (40 KM/H) HI-LO - OIL COOLER PIPES
1.29.7/03	02	TRANSMISSION 24X24 (40 KM/H) HI-LO - GEARBOX LUBRICATION PIPING
1.29.7/04	01	TRANSMISSION 24X24 (40 KM/H) HI-LO - OIL COOLER PIPES (VAR.330282)
1.29.7/04	02	TRANSMISSION 24X24 (40 KM/H) HI-LO - GEARBOX LUBRICATION PIPING (VAR.330282)
1.29.7/05	01	TRANSMISSION 24X24 (40 KM/H) HI-LO - OIL COOLER PIPES (VAR.330282)
1.29.7/05	02	TRANSMISSION 24X24 (40 KM/H) HI-LO - GEARBOX LUBRICATION PIPING (VAR.330282)
1.29.7/06	01	TRANSMISSION 16X16 (40 KM/H) SPS - OIL COOLER PIPES
1.29.7/06	02	TRANSMISSION 16X16 SPS - GEARBOX LUBRICATION PIPING - C6562
1.29.7/06	02A	TRANSMISSION 16X16 SPS - GEARBOX LUBRICATION PIPING - D6562 - C7070
1.29.7/06	02B	TRANSMISSION 16X16 SPS - GEARBOX LUBRICATION PIPING - D7070

TABLE OF CONTENTS

1.29.7/07	01	TRANSMISSION 16X16 (40 KM/H) SPS - OIL COOLER PIPES (VAR.330283)
1.29.7/07	02	TRANSMISSION 16X16 (40 KM/H) SPS - GEARBOX LUBRICATION PIPING (VAR.330283)
1.29.7/08	01	TRANSMISSION 16X16 (40 KM/H) SPS - OIL COOLER PIPES (VAR.330283)
1.29.7/08	02	TRANSMISSION 16X16 (40 KM/H) SPS - GEARBOX LUBRICATION PIPING (VAR.330283)
1.29.7/09		2WD FRONT AXLE - OIL COOLER PIPES (VAR.330405-331405-332405-333405-334405-335405-336405-337405)
1.29.7/10		63 L/MIN FIXED DISPLACEMENT PUMP FOR EDC AND 24X24 - GEARBOX LUBRICATION PIPING (VAR.330824)
1.29.7/11		63 L/MIN FIXED DISPLACEMENT PUMP FOR EDC AND 16X16 - GEARBOX LUBRICATION PIPING (VAR.330830)
1.29.7/12	01	113 L/MIN CCLS PUMP FOR SPS - GEARBOX LUBRICATION PIPING - C6562 (VAR.330835-331836-332836 / 743744)
1.29.7/12	01A	113 L/MIN CCLS PUMP FOR SPS - GEARBOX LUBRICATION PIPING - D6562 - C7070 (VAR. 330835-331836-332836-333836-335836 / 743744)
1.29.7/12	01B	113 L/MIN CCLS PUMP FOR SPS - GEARBOX LUBRICATION PIPING - D7070 (VAR. 330835-331836-332836-333836-335836 / 743744)
1.29.7/13		113 L/MIN CCLS PUMP FOR EDC AND SPS (40E-50KM/H) - GEARBOX LUBRICATION PIPING - C6562 (VAR.333836-335836 / 743744)
1.29.7/14		TRANSMISSION 16X16 (40 KM/H) SPS - OIL COOLER PIPES
1.29.7/15	01	113 L/MIN CCLS PUMP FOR (CL.4) FRONT AXLE - GEARBOX LUBRICATION PIPING - C6562 (VAR.334835-336835-337835-338835-339835 / 743744)
1.29.7/15	01A	113 L/MIN CCLS PUMP FOR (CL.4) FRONT AXLE - GEARBOX LUBRICATION PIPING - D7070 (VAR.334835-336835-337835-338835-339835 / 743744)
1.29.7/15	01B	113 L/MIN CCLS PUMP FOR (CL.4) FRONT AXLE - GEARBOX LUBRICATION PIPING - D7070 (VAR.334835-336835-337835-338835-339835 / 743744)
1.29.9		TRANSMISSION 12X12 - COVER FOR REVERSER - FORK
1.29.9/01	01	TRANSMISSION 24X24 (40 KM/H) HI-LO - COVER FOR REVERSER – FORK AND VALVES (STD + VAR.330282)
1.29.9/01	02	TRANSMISSION 24X24 (40 KM/H) HI-LO - COVER FOR REVERSER - TOP COVER AND SENSOR (STD + VAR.330282)
1.29.9/02	01	TRANSMISSION 16X16 (40 KM/H) SPS - COVER FOR REVERSER - CONTROL FOR 4/5 UNITS AND VALVE (STD + VAR.330283)
1.29.9/02	02	TRANSMISSION 16X16 (40 KM/H) SPS - COVER FOR REVERSER - CONTROL FOR 4/5 UNITS AND SENSOR (STD + VAR.330283)
1.29.9/02	03	TRANSMISSION 16X16 (40 KM/H) SPS - REVERSER AND CONTROL FOR 4/5 UNITS (STD + VAR.330283)
1.32.0		TRANSMISSION 12X12 OR 24X24 (40 KM/H) - DIFFERENTIAL SUPPORT
1.32.0/01		TRANSMISSION 16X16 (40 KM/H) SPS - DIFFERENTIAL SUPPORT (STD + VAR.330283)
1.32.0/02		DIFFERENTIAL GEARS WITH HYDRAULIC LOCK - DIFFERENTIAL SUPPORT - VAR 330333 331333 332333
1.32.1	01	TRANSMISSION 12X12 (40 KM/H) - REDUCTION GEAR
1.32.1	02	TRANSMISSION 12X12 (40 KM/H) - PINION AND CROWN GEAR
1.32.1	03	TRANSMISSION 12X12 (40 KM/H) - PINION ADJUSTING SHIMS
1.32.1/01	01	TRANSMISSION 24X24 (40 KM/H) HI-LO - REDUCTION GEAR (STD + VAR.330282)
1.32.1/01	02	TRANSMISSION 24X24 (40 KM/H) HI-LO - PINION AND CROWN GEAR (STD + VAR.330282)
1.32.1/01	03	TRANSMISSION 24X24 (40 KM/H) HI-LO - PINION ADJUSTING SHIMS (STD + VAR.330282)
1.32.1/02	01	TRANSMISSION 16X16 (40 KM/H) SPS - REDUCTION GEAR (STD + VAR.330283-331289)
1.32.1/02	02	TRANSMISSION 16X16 (40 KM/H) SPS - PINION AND CROWN GEAR (STD + VAR.330283)
1.32.1/02	03	TRANSMISSION 16X16 (40 KM/H) SPS - PINION ADJUSTING SHIMS (STD + VAR.330283)

TABLE OF CONTENTS

1.32.1/03		TRANSMISSION 12X12 (30 KM/H) - REDUCTION GEAR (VAR.330245)
1.32.1/04		TRANSMISSION 24X24 (30 KM/H) HI-LO - REDUCTION GEAR (VAR.331245-330248)
1.32.1/05		TRANSMISSION 16X16 (30 KM/H) SPS - REDUCTION GEAR (VAR.332245-331248)
1.32.2	01	TRANSMISSION 12X12 (40 KM/H) - RANGE GEARSHIFT MECHANISM - COVER, RODS AND FORKS
1.32.2	02	TRANSMISSION 12X12 (40 KM/H) - RANGE GEARSHIFT MECHANISM - LEVERS AND TIE-ROD
1.32.2/01	01	TRANSMISSION 24X24 (40 KM/H) HI-LO - RANGE GEARSHIFT MECHANISM - COVER, RODS AND FORKS (STD + VAR.330282)
1.32.2/01	02	TRANSMISSION 24X24 (40 KM/H) HI-LO - RANGE GEARSHIFT MECHANISM - LEVERS AND TIE-ROD (STD + VAR.330282)
1.32.2/02		TRANSMISSION 16X16 (40 KM/H) SPS - RANGE GEARSHIFT MECHANISM - ROD, FORK AND LEVER (STD + VAR.330283)
1.32.3	01	CREEPER FOR TRANSMISSION 12X12 - GEARS AND SUPPORT (VAR.330330)
1.32.3	02	CREEPER FOR TRANSMISSION 12X12 - GEARSHIFT MECHANISM (VAR.330330)
1.32.3/01	01	CREEPER FOR TRANSMISSION 24X24/16X16 - GEARS AND SUPPORT (VAR.331330-332330)
1.32.3/01	02	CREEPER FOR TRANSMISSION 24X24/16X16 - GEARSHIFT MECHANISM (VAR.331330-332330)
1.32.4		DIFFERENTIAL GEARS WITH MECHANICAL LOCK FOR REAR AXLE
1.32.4/01		DIFFERENTIAL GEARS WITH MECHANICAL LOCK FOR HEAVY DUTY REAR AXLE
1.32.4/02		DIFFERENTIAL GEARS WITH HYDRAULIC LOCK FOR HEAVY DUTY REAR AXLE
1.32.4/03		DIFFERENTIAL GEARS WITH MECHANICAL LOCK FOR HEAVY DUTY REAR AXLE (VAR.330334-332334)
1.32.4/04		DIFFERENTIAL GEARS WITH HYDRAULIC LOCK - VAR 330333 331333 332333
1.32.5		TRANSMISSION 17X16 (50 KM/H) SPS - HYDRAULIC CENTRAL SPLITTER (VAR.330247)
1.32.5/01		TRANSMISSION 17X16 (40 KM/H) ECONOMY SPS - HYDRAULIC CENTRAL SPLITTER (VAR.330291)
1.32.6		MECHANICAL DIFFERENTIAL LOCK
1.32.6/01		HYDRAULIC DIFFERENTIAL LOCK
1.32.6/02		DIFFERENTIAL GEARS WITH HYDRAULIC LOCK - HYDRAULIC DIFFERENTIAL LOCK - VAR 330333 331333 332333
1.32.6/03		(CL.3) FRONT AXLE W/MULTI-PLATE DIFF. LOCK AND STEERING SENSOR - PIPES (VAR.330409)
1.32.6/04		(CL.3) SUSPENDED FRONT AXLE W/MULTI-PLATE DIFF. LOCK - PIPES (VAR.330414-330427)
1.32.6/05		(CL.3) SUPERSTEER FRONT AXLE WITH STEERING SENSOR - PIPES (VAR.330413)
1.32.6/06		(CL.4) FRONT AXLE W/MULTI-PLATE DIFF. LOCK AND STEERING SENSOR - PIPES (VAR.330408)
1.32.6/07		(CL.4) FRONT AXLE W/MULTI-PLATE DIFF. LOCK AND BRAKES - PIPES (VAR.330426)
1.32.6/08		(CL.4) SUSPENDED FRONT AXLE W/MULTI-PLATE DIFF. LOCK - PIPES (VAR.330429-330430)
1.32.6/09		(CL.4) SUPERSTEER FRONT AXLE WITH STEERING SENSOR - PIPES (VAR.330428)
1.32.6/10		(CL.3) FRONT AXLE WITH DOG CLUTCH LESS STEERING SENSOR - PIPES (VAR.330416)
1.32.6/11		(CL.3) FRONT AXLE W/MULTI-PLATE DIFF. LOCK, ST. SENSOR AND BRAKES - PIPES (VAR.330425)
1.32.8	01	PUMPS FOR HYDRAULIC SYSTEM AND LIFT (63 L/MIN)
1.32.8	02	PUMPS FOR HYDRAULIC SYSTEM AND LIFT (63 L/MIN)
1.32.8/01	01	PUMPS FOR HYDRAULIC SYSTEM AND LIFT (80 L/MIN)
1.32.8/01	02	PUMPS FOR HYDRAULIC SYSTEM AND LIFT (80 L/MIN)

TABLE OF CONTENTS

1.32.8/02	01	PUMPS FOR HYDRAULIC SYSTEM AND LIFT (113 L/MIN) - C6562 (VAR.390835-391835 / 743744)
1.32.8/02	01A	PUMPS FOR HYDRAULIC SYSTEM AND LIFT (113 L/MIN) - D6562 (VAR.390835-391835 / 743744)
1.32.8/02	02	PUMPS FOR HYDRAULIC SYSTEM AND LIFT (113 L/MIN) - C6562 (VAR.390835-391835 / 743744)
1.32.8/02	02A	PUMPS FOR HYDRAULIC SYSTEM AND LIFT (113 L/MIN) - D6562 - C7420 (VAR.390835-391835 / 743744)
1.32.8/02	02B	PUMPS FOR HYDRAULIC SYSTEM AND LIFT (113 L/MIN) - D7420 (VAR.390835-391835 / 743744)
1.32.8/02	03	PUMPS FOR HYDRAULIC SYSTEM AND LIFT (113 L/MIN) - C6562 (VAR.390835-391835 / 743744)
1.32.8/02	03A	PUMPS FOR HYDRAULIC SYSTEM AND LIFT (113 L/MIN) - BRAKE LUBRICATION PIPES - D6562 (VAR.390835-391835 / 743744)
1.32.8/02A		(113 L/MIN) HYDRAULIC PUMP - BREAKDOWN (VAR.330835-331836-332836-333836-334835-335836-336835-337835-338835-339835-390835-391835 / 743744)
1.32.8/02B		(113 L/MIN) HYDRAULIC PUMP - BREAKDOWN (VAR.330835-331836-332836-333836-334835-335836-336835-337835-338835-339835-390835-391835 / 743744)
1.32.8/03	01	113 L/MIN CCLS PUMP FOR (CL.3) FRONT AXLE - PUMPS FOR HYDRAULIC SYSTEM AND LIFT - C6562 (VAR.330835-331836-332836-333836-335836 / 743744)
1.32.8/03	01A	113 L/MIN CCLS PUMP FOR (CL.3) FRONT AXLE - PUMPS FOR HYDRAULIC SYSTEM AND LIFT - D6562 (VAR.330835-331836-332836-333836-335836 / 743744)
1.32.8/03	02	113 L/MIN CCLS PUMP FOR (CL.3) FRONT AXLE - PUMPS FOR HYDRAULIC SYSTEM AND LIFT - C6562 (VAR.330835-331836-332836-333836-335836 / 743744)
1.32.8/03	02A	113 L/MIN CCLS PUMP FOR (CL.3) FRONT AXLE - PUMPS FOR HYDRAULIC SYSTEM AND LIFT - D6562 - C7420 (VAR.330835-331836-332836-333836-335836 / 743744)
1.32.8/03	02B	113 L/MIN CCLS PUMP FOR (CL.3) FRONT AXLE - PUMPS FOR HYDRAULIC SYSTEM AND LIFT - D7420 (VAR.330835-331836-332836-333836-335836 / 743744)
1.32.8/03	03	113 L/MIN CCLS PUMP FOR (CL.3) FRONT AXLE - PUMPS FOR HYDRAULIC SYSTEM AND LIFT - C6562 (VAR.330835-331836-332836-333836-335836 / 743744)
1.32.8/03	03A	113 L/MIN CCLS PUMP FOR (CL.3) FRONT AXLE - PUMPS FOR HYDRAULIC SYSTEM AND LIFT - D6562 (VAR.330835-331836-332836-333836-335836 / 743744)
1.32.8/04	01	113 L/MIN CCLS PUMP FOR (CL.4) FRONT AXLE - PUMPS FOR HYDRAULIC SYSTEM AND LIFT - C6562 (VAR.334835-336835-337835-338835-339835 / 743744)
1.32.8/04	01A	113 L/MIN CCLS PUMP FOR (CL.4) FRONT AXLE - PUMPS FOR HYDRAULIC SYSTEM AND LIFT - D6562 (VAR.334835-336835-337835-338835-339835 / 743744)
1.32.8/04	02	113 L/MIN CCLS PUMP FOR (CL.4) FRONT AXLE - PUMPS FOR HYDRAULIC SYSTEM AND LIFT - C6562 (VAR.334835-336835-337835-338835-339835 / 743744)
1.32.8/04	02A	113 L/MIN CCLS PUMP FOR (CL.4) FRONT AXLE - PUMPS FOR HYDRAULIC SYSTEM AND LIFT - D6562 - C7420 (VAR.334835-336835-337835-338835-339835 / 743744)
1.32.8/04	02B	113 L/MIN CCLS PUMP FOR (CL.4) FRONT AXLE - PUMPS FOR HYDRAULIC SYSTEM AND LIFT - D7420 (VAR.334835-336835-337835-338835-339835 / 743744)
1.32.8/04	03	113 L/MIN CCLS PUMP FOR (CL.4) FRONT AXLE - PUMPS FOR HYDRAULIC SYSTEM AND LIFT - C6562 (VAR.334835-336835-337835-338835-339835 / 743744)
1.32.8/04	03A	113 L/MIN CCLS PUMP FOR (CL.4) FRONT AXLE - PUMPS FOR HYDRAULIC SYSTEM AND LIFT - D6562 (VAR.334835-336835-337835-338835-339835 / 743744)
1.32.9	01	HYDRAULIC PUMP DRIVING GEARS
1.32.9	02	HYDRAULIC PUMP DRIVING GEARS
1.33.0		SEC. 04 - FRONT AXLE
1.33.1	01	4WD DRIVING GEAR - SPLINED BUSHING AND RELATED PARTS
1.33.1	02	4WD DRIVING GEAR - DRIVE SHAFT AND GUARD
1.33.1/01		TRANSMISSION, CENTRAL REDUCTION GEAR, SPEED SENSOR, 2WD (VAR.330405-331405-332405-333405-334405-335405)
1.33.3		4WD MECHANICAL ENGAGEMENT - COUPLING SLEEVE AND HUB
1.33.3/01		4WD ENGAGEMENT CLUTCH CONTROL - SPLINED HUB AND DISKS
1.33.3/02		WET DIFFERENTIAL AND 4WD ENGAGEMENT CLUTCHES - SPLINED HUB AND DISKS - VAR 330333 331333

TABLE OF CONTENTS

1.38.5		4WD PROPELLER SHAFT STD
1.38.5/01		4WD PROPELLER SHAFT FOR SUSPENDED FRONT AXLE
1.38.5/02		4WD PROPELLER SHAFT FOR SUPERSTEER FRONT AXLE
1.38.8		WATERPROOFING FOR FIXED FRONT AXLE - SLEEVE, SHIELD & FLANGE - VAR 330448 336449
1.40. 0/01		4WD (CL.3) FRONT AXLE WITH LIMITED SLIP DIFF. LOCK - BOX
1.40. 0/02		4WD (CL.3) FRONT AXLE WITH LIMITED SLIP DIFF. LOCK - STEERING AXLES AND HUBS
1.40. 0/04		4WD (CL.3) FRONT AXLE WITH LIMITED SLIP DIFF. LOCK - LINK
1.40. 0/05		4WD (CL.3) FRONT AXLE WITH LIMITED SLIP DIFF. LOCK - SUPPORT
1.40. 0/06	01	4WD (CL.3) FRONT AXLE WITH LIMITED SLIP DIFF. LOCK - BEVEL GEAR PAIR
1.40. 0/06	02	4WD (CL.3) FRONT AXLE WITH LIMITED SLIP DIFF. LOCK - ADJUSTING SHIMS
1.40. 0/06	03	4WD (CL.3) FRONT AXLE WITH LIMITED SLIP DIFF. LOCK - ADJUSTING SHIMS
1.40. 0/07		4WD (CL.3) FRONT AXLE WITH LIMITED SLIP DIFF. LOCK - DIFFERENTIAL
1.40. 0/10	01	4WD (CL.3) FRONT AXLE WITH LIMITED SLIP DIFF. LOCK - DIFFERENTIAL GEARS AND SHAFT - C6449
1.40. 0/10	01A	4WD (CL.3) FRONT AXLE WITH LIMITED SLIP DIFF. LOCK - DIFFERENTIAL GEARS AND SHAFT - D6449
1.40. 0/10A		SHAFT ARTICULATED - BREAKDOWN - C6449
1.40. 0/10B		SHAFT ARTICULATED - BREAKDOWN - D6449
1.40. 0/12		4WD (CL.3) FRONT AXLE WITH LIMITED SLIP DIFF. LOCK - CYLINDERS
1.40. 0/12A		HYDRAULIC STEERING CYLINDER - BREAKDOWN
1.40. 1/01		4WD (CL.3) FRONT AXLE WITH DOG CLUTCH - BOX
1.40. 1/02		4WD (CL.3) FRONT AXLE WITH DOG CLUTCH - STEERING AXLES AND HUBS
1.40. 1/04		4WD (CL.3) FRONT AXLE WITH DOG CLUTCH - LINK
1.40. 1/05		4WD (CL.3) FRONT AXLE WITH DOG CLUTCH - SUPPORT
1.40. 1/06	01	4WD (CL.3) FRONT AXLE WITH DOG CLUTCH - BEVEL GEAR PAIR
1.40. 1/06	02	4WD (CL.3) FRONT AXLE WITH DOG CLUTCH - ADJUSTING SHIMS
1.40. 1/06	03	4WD (CL.3) FRONT AXLE WITH DOG CLUTCH - ADJUSTING SHIMS
1.40. 1/07		4WD (CL.3) FRONT AXLE WITH DOG CLUTCH - DIFFERENTIAL
1.40. 1/08		4WD (CL.3) FRONT AXLE WITH DOG CLUTCH - DIFFERENTIAL LOCK
1.40. 1/10	01	4WD (CL.3) FRONT AXLE WITH DOG CLUTCH - DIFFERENTIAL GEARS AND DIFFERENTIAL SHAFT - C6449
1.40. 1/10	01A	4WD (CL.3) FRONT AXLE WITH DOG CLUTCH - DIFFERENTIAL GEARS AND DIFFERENTIAL SHAFT - D6449
1.40. 1/10A		SHAFT ARTICULATED - BREAKDOWN - C6449
1.40. 1/10B		SHAFT ARTICULATED - BREAKDOWN - D6449
1.40. 1/12		4WD (CL.3) FRONT AXLE WITH DOG CLUTCH - CYLINDERS
1.40. 11/10B		CLASS 3 SUSPENDED FRONT AXLE WITH HYDRAULIC DIFFERENTIAL LOCK - AXLE SHAFT ARTICULATED
1.40. 2/01		4WD (CL.3) FRONT AXLE WITH WET CLUTCH, "TERRALOCK" - BOX
1.40. 2/02		4WD (CL.3) FRONT AXLE WITH WET CLUTCH, "TERRALOCK" - STEERING AXLES - HUBS

**Thanks very much for your reading,
Want to get more information,
Please click here, Then get the complete
manual**

JustClickHere 

NOTE:

**If there is no response to click on the link above,
please download the PDF document first, and then
click on it.**

**Have any questions please write to me:
admin@servicemanualperfect.com**